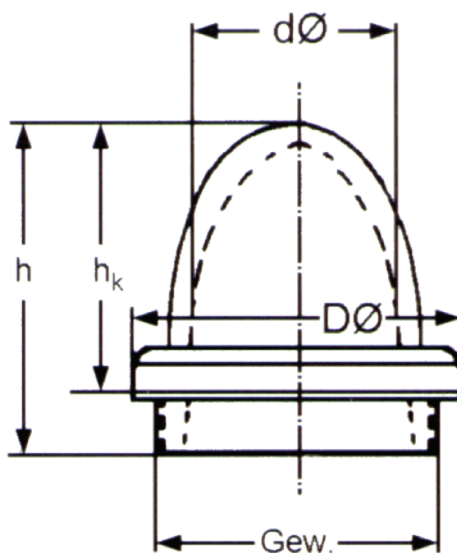




Oil Circulation Indicator

Model H (Polymer)



- With thread
- Totally clear polymer
- Can be mounted vertically or horizontally
- Available in 3 materials:
 - Polyacryl - for up to 80°C
 - Polyamide - for up to 100°C
 - Polycarbonate - for up to 120°C
- With seal

Art. No.	Thread Inches	Art. No.	Thread mm	D	d	h	h _k
H-6 Z	R 3/4"	H-26	M 27 x 1,5	34,7	17,7	47,0	35,0
H-7 Z	R 1"	H-27	M 33 x 1,5	39,8	22,3	49,3	37,3

For further enquiries or orders please contact us:

Teplast GmbH
Hauptstrasse 53
CH-5074 Eiken

Tel: +41 62 8712090
Fax: +41 62 8712190

Email: info@teplast.com
Web: www.teplast.com