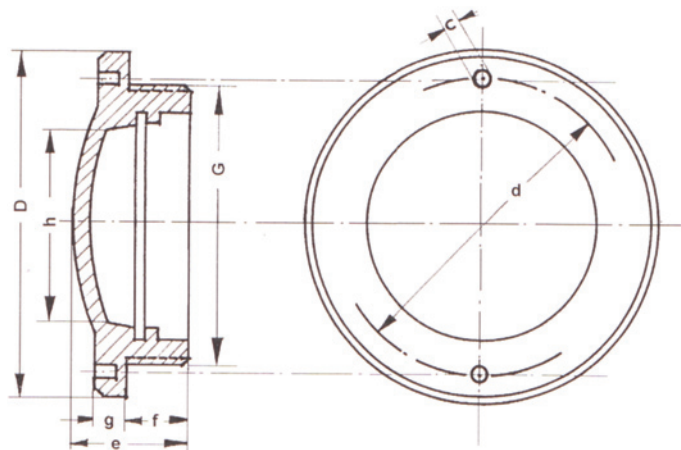
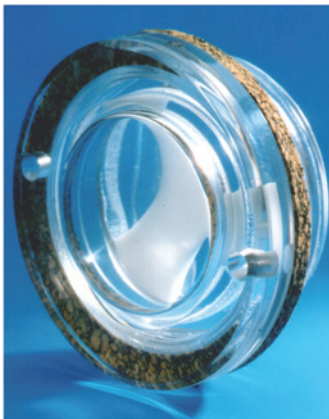




Oil Level Glasses

Model GE (Polymer)



- Totally translucent polymer
- Available in 3 materials:
 - Polyacryl - for up to 80°C
 - Polyamide - for up to 100°C
 - Polycarbonate - for up to 120°C
- Ageing resistant
- White reflector

Art. No.	Thread Inches	Thread mm	Art. No.	D	d	g	f	e	c	h
GE-1 Z	G 1/4"	M 12 x 1	GE-21	20	13,9	3,2	8,2	12,7	1,2	6
GE-2 Z	G 3/8"	M 16 x 1,5	GE-22	24	17,5	4,0	9,1	14,7	2,5	9
GE-3 Z	G 1/2"	M 20 x 1,5	GE-23	28	22,0	5,0	10,2	18,0	2,7	12
		M 24 x 1,5	GE-24	35	27,2	5,0	12,5	19,5	2,9	16
		M 26 x 1,5	GE-25	35	27,2	5,0	12,5	19,5	2,9	16
GE-4 Z	G 3/4"	M 27 x 1,5	GE-26	35	27,2	5,0	12,5	19,5	2,9	16
GE-5 Z	G 7/8"	M 30 x 1,5	GE-27	37	29,7	5,0	12,0	20,8	3,8	20
GE-6 Z	G 1"	M 33 x 1,5	GE-28	40	32,5	5,0	11,5	20,0	3,0	22
		M 35 x 1,5	GE-29	45	35,0	5,0	12,5	20,5	4,0	25
GE-7 Z	G 1 1/4"	M 42 x 1,5	GE-30	50	41,7	5,0	13,0	22,5	3,2	28
GE-8 Z	G 1 1/2"	M 48 x 1,5	GE-31	55	45,0	6,0	14,0	24,8	4,0	33
GE-9 Z	G 2"	M 60 x 2	GE-32	68	60,0	6,0	14,0	23,2	5,0	43

For further enquiries or orders please contact us:

Teplast GmbH
Hauptstrasse 53
CH-5074 Eiken

Tel: +41 62 8712090
Fax: +41 62 8712190

Email: info@teplast.com
Web: www.teplast.com