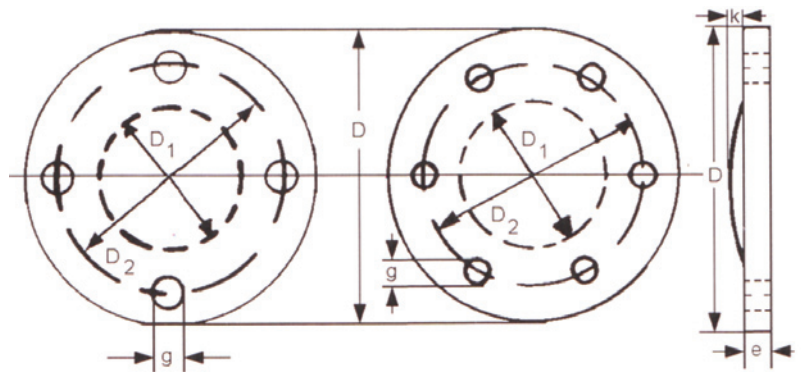




Oil Level Glasses

Model SCH (Polymer)



- Totally translucent polymer
- Available in 3 materials:
 - Polyacryl - for up to 80°C
 - Polyamide - for up to 100°C
 - Polycarbonate - for up to 120°C
- White reflector
- One piece molding
- With seal

Art. No.	Fixation	D	D1	D2	e	g	k
SCH-1	4 screws 4,5	48	24	35,5	6,0	4,5	3,0
SCH-2	6 screws 5,0	70	45	58,0	6,3	5,0	4,5
SCH-3	6 screws 6,0	98	66	83,0	6,5	6,5	7,5
SCH-4	6 screws 6,5	128	98	112,5	6,8	6,5	9,7
SCH-5	6 screws 7,0	170	138	154,0	7,0	7,0	9,0

For further enquiries or orders please contact us:

Teplast GmbH
Hauptstrasse 53
CH-5074 Eiken

Tel: +41 62 8712090
Fax: +41 62 8712190

Email: info@teplast.com
Web: www.teplast.com