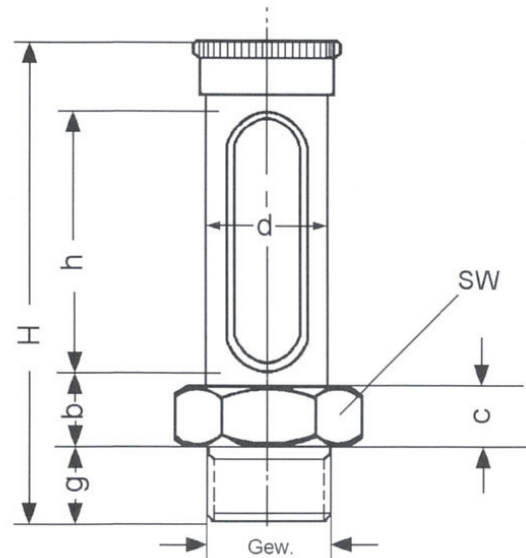




Oil Level Indicator

Model AG (Brass)



- Straight implementation out of brass
- With protection sleeve and glass tube
- Operating temperature up to 110°C
- Two-way venting
- Includes seal
- Other sizes upon request

Art. No.	Thread	g	b	c	d	h	H	SW
AG-1	G 1/8"	8	7,5	6	9,5	19	43	14
AG-2	G 1/8"	8	7,5	6	9,5	29	53	14
AG-3	G 1/8"	8	7,5	6	9,5	49	63	14
AG-4	G 1/4"	9	9,0	7	13,0	12	39	17
AG-5	G 1/4"	9	9,0	7	13,0	27	54	17
AG-6	G 1/4"	9	9,0	7	13,0	42	69	17
AG-7	G 1/4"	9	9,0	7	13,0	57	84	17
AG-8	G 1/4"	9	9,0	7	13,0	72	99	17
AG-9	G 1/4"	9	9,0	7	13,0	87	114	17
AG-10	G 1/8"	10	10,0	8	16,0	35	66	22
AG-11	G 1/8"	10	10,0	8	16,0	50	81	22
AG-12	G 1/8"	10	10,0	8	16,0	65	96	22
AG-13	G 1/8"	10	10,0	8	16,0	85	116	22
AG-14	G 1/8"	10	10,0	8	16,0	110	142	22
AG-15	G 1/8"	10	10,0	8	16,0	135	165	22
AG-16	G 1/2"	12	12,0	9	20,0	41	77	22
AG-17	G 1/2"	12	12,0	9	20,0	56	92	22
AG-18	G 1/2"	12	12,0	9	20,0	81	117	22
AG-19	G 1/2"	12	12,0	9	20,0	131	167	22
AG-20	G 1/2"	12	12,0	9	20,0	181	217	22
AG-21	G 3/4"	15	15,0	11	24,0	127	176	32
AG-22	G 3/4"	15	15,0	11	24,0	277	322	32

For further enquiries or orders please contact us:

Teplast GmbH
Hauptstrasse 53
CH-5074 Eiken

Tel: +41 62 8712090
Fax: +41 62 8712190

Email: info@teplast.com
Web: www.teplast.com